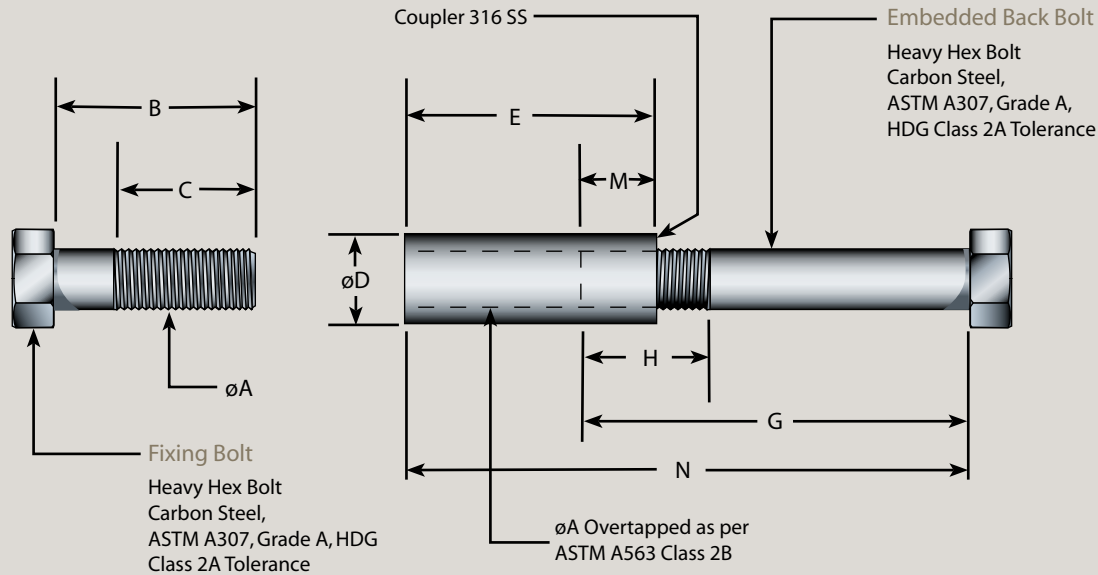


ANCHOR BOLTS

Anchor Bolts & Fixing Hardware

Maritime International provides a full range of hardware solutions and accessories to go along with our fender systems. All materials are made of standard high strength steels, and galvanizations specially made for the marine

environment, or manufactured to suit project requirements. MI can also accommodate any size diameter and length requirements you may need.



MI also manufactures fixings for existing concrete with epoxy

INCH SERIES ANCHORS								
	Front Bolt Dimensions		Coupler Dimensions		Back Bolt Dimensions		Assembly Dimensions	
Size	Bolt Length	Thread Length	O.D.	Coupler Length	Bolt Length	Thread Length	Engagement	Embedment Length
ϕA	B	C	ϕD	E	G	H	M	N
3/4"-10 UNC	2 1/4	1 3/4	1 1/8	3 1/8	4 3/4	1 3/4	1	6 7/8
7/8"-9 UNC	2 3/4	2 1/4	1 1/4	3 7/8	5 1/4	2	1 1/8	8
1 1/8"-7 UNC	3 1/4	2 3/4	1 3/4	4 1/2	7 1/4	2 3/4	1 3/8	10 3/8
1 3/8"-6 UNC	3 7/8	3	2	5	8 7/8	3 1/4	1 5/8	12 1/4
1 1/2"-6 UNC	4 3/8	3 1/2	2 1/4	5 3/8	9 3/4	3 1/2	1 3/4	13 3/8
1 3/4"-5 UNC	4 5/8	3 3/4	2 1/2	6	11 5/8	4	2	15 5/8
2"-4 1/2 UNC	5 1/2	4 1/2	3	7	13 1/4	4 1/2	2 1/4	18
2"-4 UNC	6 3/4	5 5/8	4	8 5/8	16 3/4	5 1/2	2 3/4	22 5/8
3"-4 UNC	7 5/8	6 1/2	4 1/4	8 7/8	22	6 1/2	3 1/4	27 5/8

METRIC SERIES ANCHORS								
	Front Bolt Dimensions		Coupler Dimensions		Back Bolt Dimensions		Assembly Dimensions	
Size	Bolt Length	Thread Length	O.D.	Coupler Length	Bolt Length	Thread Length	Engagement	Embedment Length
ϕA	B	C	ϕD	E	G	H	M	N
M20 x 2.5	58	45	30	80	120	45	26	174
M24 x 3	70	58	32	98	135	50	30	203
M30 x 3.5	84	70	44	115	185	70	36	264
M36 x 4	98	76	52	130	225	85	42	313
M42 x 4.5	110	90	58	140	250	90	48	342
M48 x 5	118	95	64	152	295	100	54	393
M56 x 5.5	140	115	76	180	340	115	62	453
M64 x 6	170	145	100	220	425	140	70	575
M80 x 6	195	165	110	225	560	165	86	699