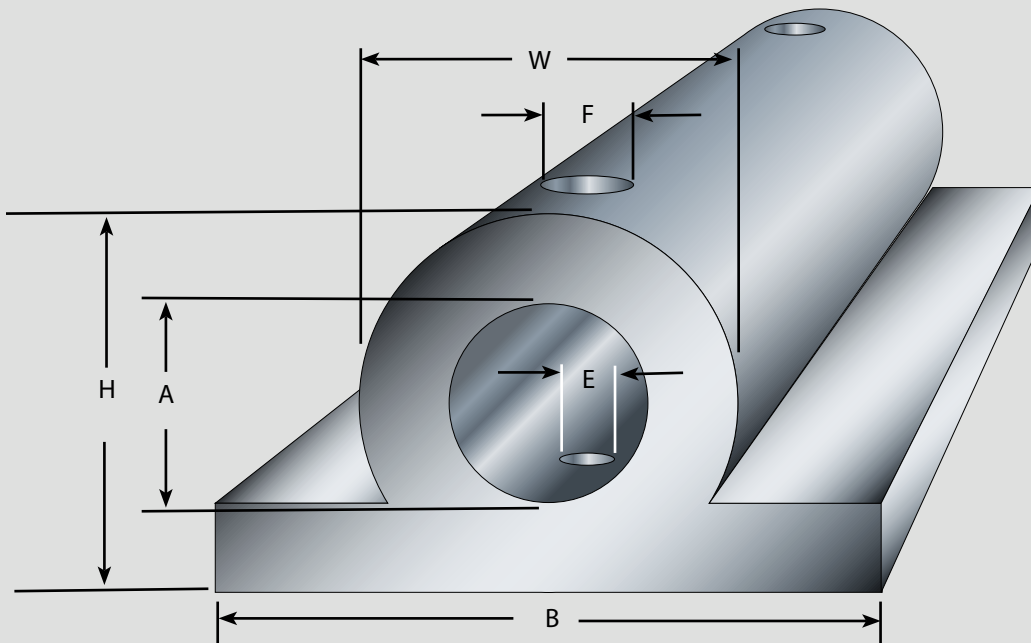


## PROFILE FENDERS

## MWG WING TYPE RUBBER FENDERS



MWG Rubber Fenders								
all dimensions are in inches								
H,W	4	6	8	10	12	14	16	18
B	6 1/2	9	12	16	18	20	22	24
A (∅)	2	3	4	4	6	7	8	9
E (∅)	11/16	1 1/16	1 3/16	1 5/16	1 7/16	1 9/16	1 11/16	1 15/16
F (∅)	1 3/8	2 3/8	2 5/8	2 7/8	3 1/8	3 3/8	3 5/8	4 1/8
Bolt Size	1/2	7/8	1	1 1/8	1 1/4	1 3/8	1 1/2	1 3/4
all dimensions are in millimeters								
H,W	102	152	202	254	305	356	406	457
B	165	229	305	406	457	508	559	610
A (∅)	51	76	102	102	152	178	203	229
E (∅)	17	27	30	33	37	40	43	49
F (∅)	35	60	67	73	79	86	92	105
Bolt Size	12	22	25	29	32	35	38	44